

CLOUDIA Series



50W-6500LM
80W-10400LM

Features:

1. Well suitable for Aesthetically demanding spaces
2. Up to Luminaire efficiency 130 lm/w; 160lm/W optional
3. Heat sink with PC reflector, unique appearance
4. Low operating temperature, makes it extremely versatile under different easy/hard operating conditions
5. UGR < 19
6. PC reflector design/Anti-glare
7. Easy Installation
8. 5 Years Guarantee



Erp

RoHS



IP40

CLOUDIA LED HIGH BAY LIGHTS

CLOUDIA Series LED HIGH BAY LIGHTS

Overview

CLOUDIA Series LED High Bay lights are using SMD2835 luminous source, providing excellent lumen output, long-lasting stability and splendid sight. Provide 5 years warranty on luminaire.



LED LUMINOUS SOURCE



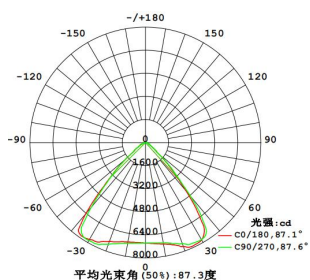
SMD2835 Illumination grade LED light source.

Luminaire Body

Unique thermal design, Big size, stable product performance.



Average beam angle(50%): 90°



Beam Angle: 90°

Application: Workshop, Warehouse | Parking Garage | Area

Lighting



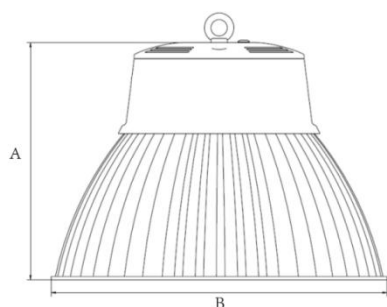
Pendant Mounted

Excellent thermal management system and heat radiation enable the LEDs consistently work cooler, providing significant boosts to lifetime and efficacy.

CLOUDIA Series LED HIGH BAY LIGHTS

Features	Data	
Norminal Wattage	50W	80W
Dimension (mm)	D410*289	
Weights	2.50kg	
Surface Area Per Watt (cm ² /W)	78	58
Input Voltage AC	220-240V/AC	
LED Brand	SMD2835	
Fuction	on/off, Dali Optional	
Driver Brand	MEANF / Other Brands Upon Request	
Operating Temperature	-20 to +55°C	
Power Factor(PF)	>0.9	
THD	<20%	
Lumen Output(+/-5%)	6500	10400
Luminarie efficiency(+/-5%)	130 lm/W	
LED Module efficiency(+/-5%)	170 lm/W	
Beam Angle	120°	
Ra	Ra>80	
CCT	3000K/ 4000K/ 5000K/ 5700K	
Rating	IP20 IK08	
Material	Die-cast Aluminum and PC Lens Or Tempered Glass	
Installation	Bracket installation/ Hanging ring installation/ Hanging rod installation	
Accessories(Optional)	Reflectors/ Motion Sensor/ PIR Sensor/ Day light Sensor for Optional	
Shell Color	White	
Lumen Maintenance	>50000H L80/B10 at 25°C	
Certifications	UL CCC DLC CE ROHS ISO9001 TM21	
Packaging Type	Packaging Data	

DIMENSION DATA



Dimension A (mm)	Dimension B (mm)
289	410

CLOUDIA Series LED HIGH BAY LIGHTS

ORDERING INFORMATION

Part Number	Power	CCT	Lumen Output	Beam	Dimension
SL-BAY-50W-XW-CL	80W	3000K/4000K/5000K/5700K	6500 lm	120°	D410*289 mm
SL-BAY-80W-XW-CL	120W	3000K/4000K/5000K/5700K	10400 lm	120°	D410*289 mm

PACKAGING DATA

Dimension	Master Carton Size[mm]	Pcs./Master Carton	Pcs./20' Container	Pcs./40' Container
D410*289 mm	L450*W450*H230	1	480	960

Application

High shed plant, workshop, warehouse, logistics center, exhibition hall, stadium, shipbuilding, mining, highway toll stations, gas stations, supermarkets, farmers market.

