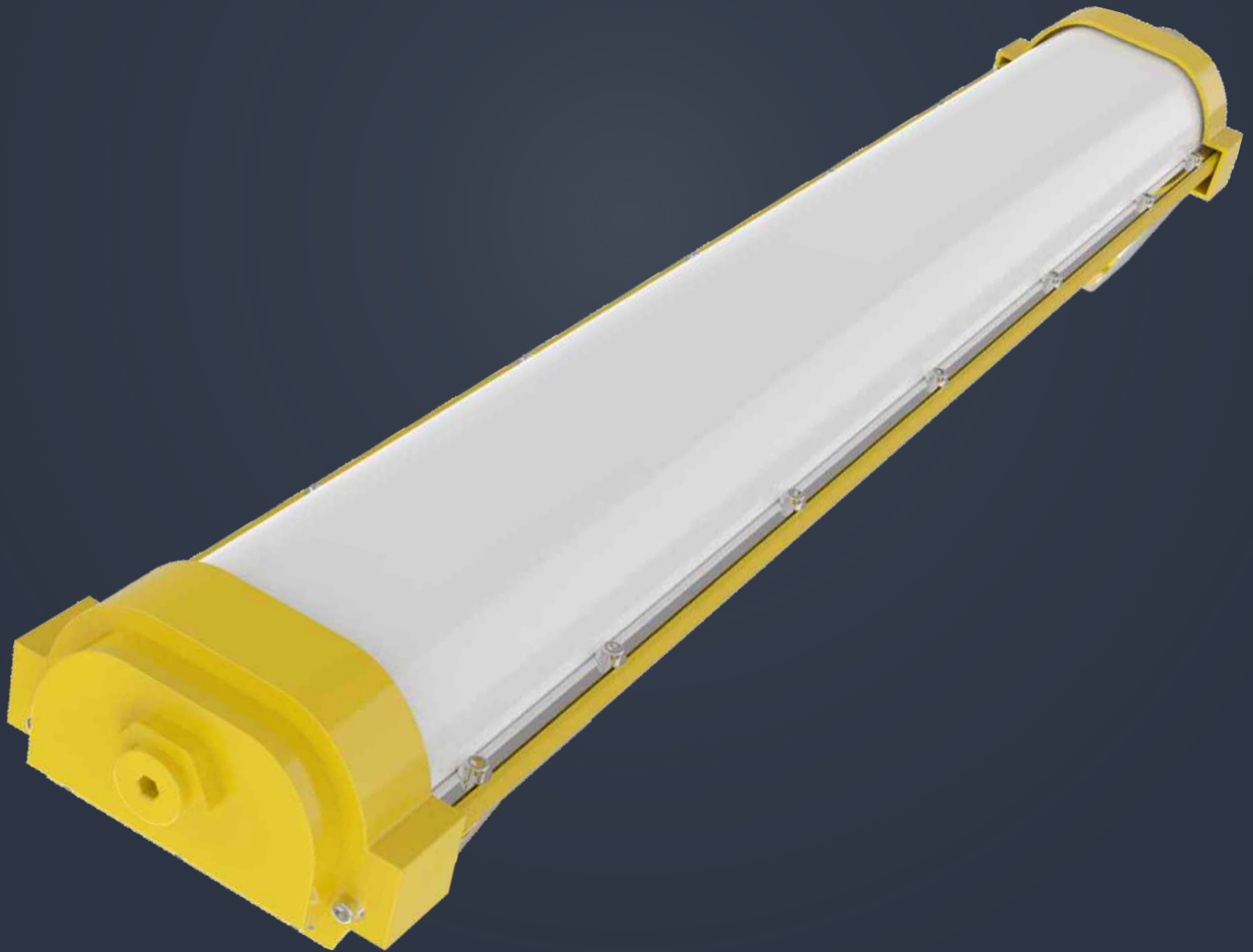


PERFEKTLIGHT

Explosion Proof Light



ISO 9001:2015 ISO 14001:2015



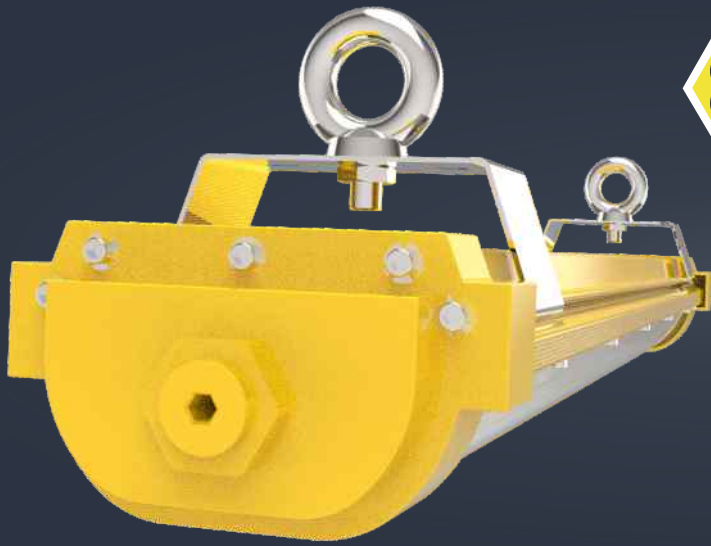
RoHS compliant



LM 79

LM 80

TM 21



Explosion Proof Light

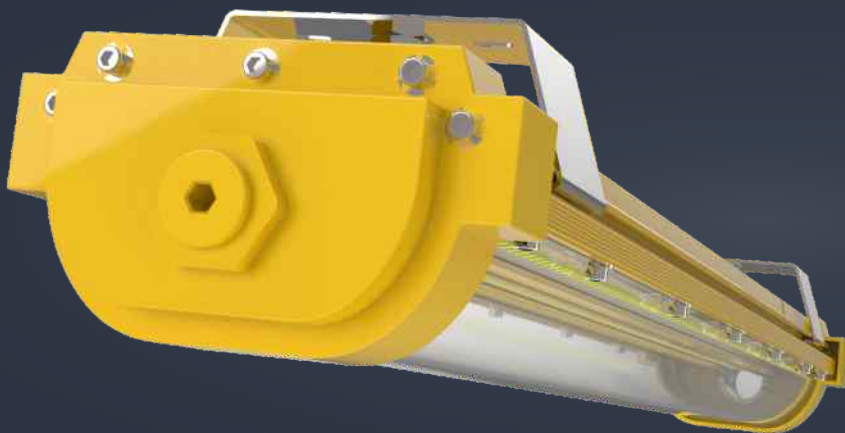
With ATEX certified, our explosion proof light fixture can be widely used for place of flammable and explosive chemical materials.



Patent

Design Patent

Aluminum housing
High thermal conductivity
Low lumen decay, L70=50,000hours
Impact test IK10
Waterproof IP65



Ex II 2 G Ex e mb IIC T6 Gc

IP65
IK10
5 years warranty



Features

- Explosion proof aluminum housing
- High thermal conductivity
- With Bridgelux led, initial efficiency 170lm/w
- Lifud Driver, Efficiency>92%, 5 years warranty
- Low lumen decay, L70=50,000hours
- Long lifetime 50,000hours
- Impact test IK10
- Waterproof IP65
- Energy saving up to 90%
- Electrical: 100~277V, 50-60Hz
- CRI>70 (Ra80/90 for option)
- Surge protection: 2KV



Dimming & Sensor Options



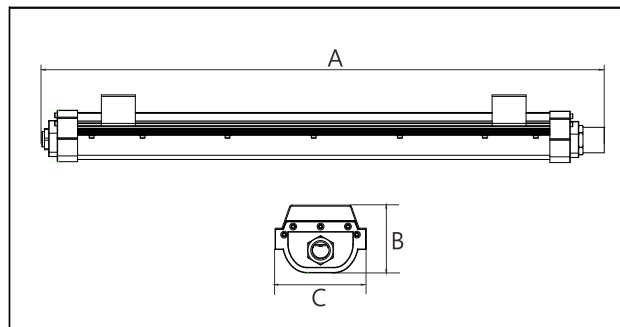
Application

- Warehouse / Factory / Parking
- Flammable and explosive chemical materials storage

120lm/w

5 YEARS WARRANTY

Bridgelux LED



Model	Watt (W)	Voltage (V)	Lumen (lm)	CRI	Power factor	Beam Angle	IP	IK	LED
PL -20W-E2	20W	100~277V	2400	>70	>0.95	160°	IP65	IK10	Bridgelux
PL -40W-E2	40W	100~277V	4800	>70	>0.95	160°	IP65	IK10	Bridgelux
PL -40W-E4	40W	100~277V	4800	>70	>0.95	160°	IP65	IK10	Bridgelux
PL -80W-E4	80W	100~277V	9600	>70	>0.95	160°	IP65	IK10	Bridgelux